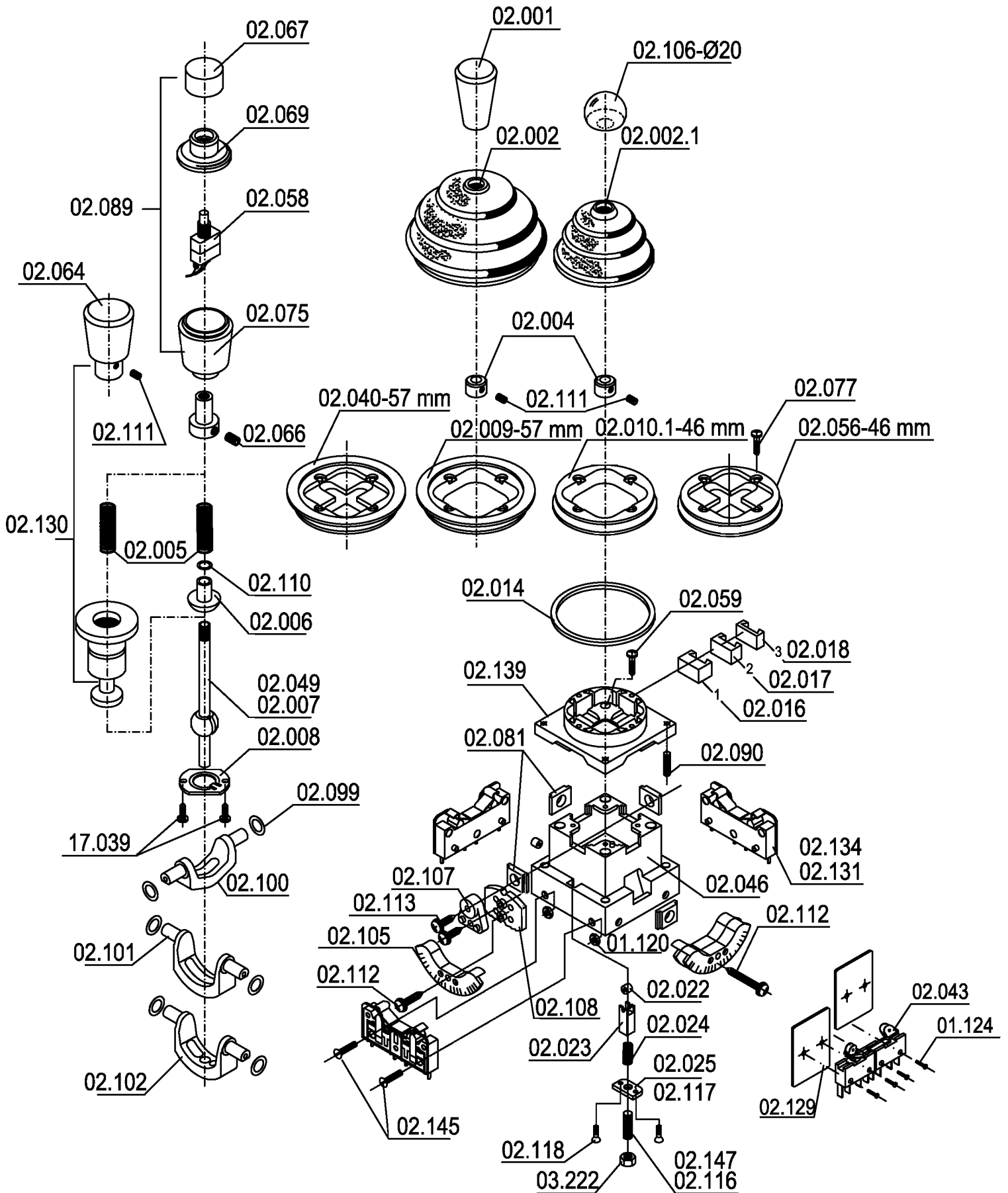


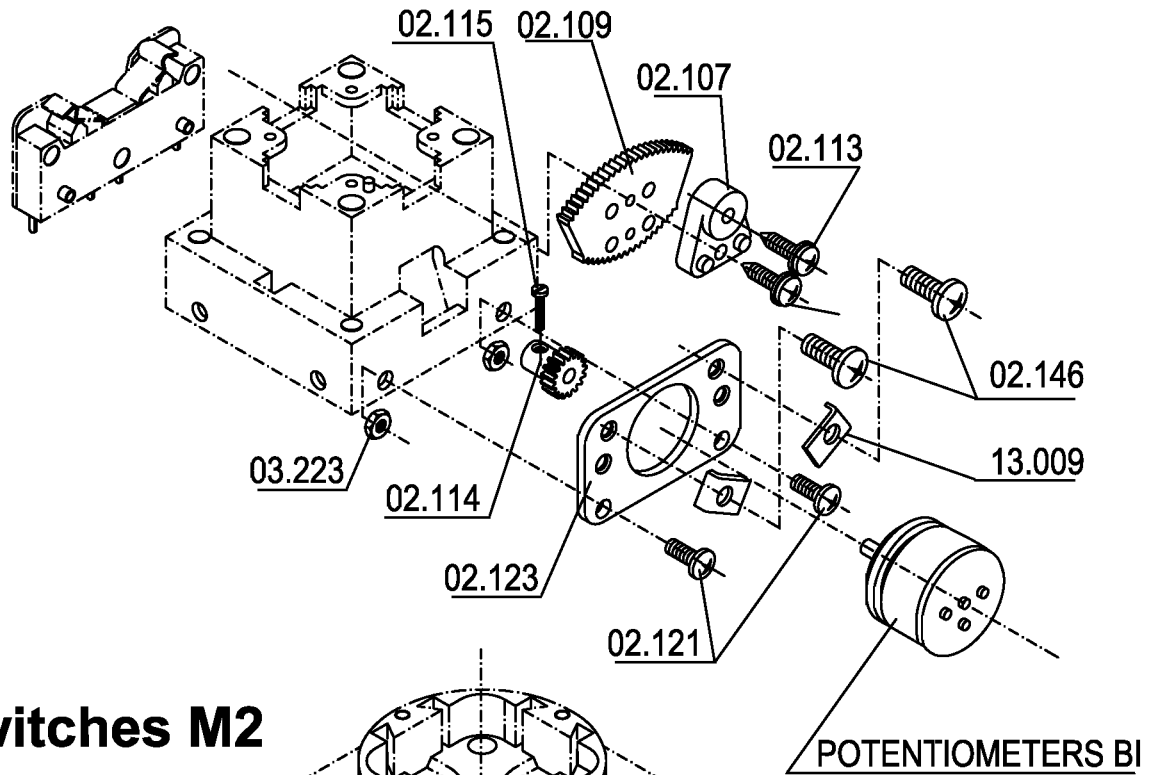
MOEV/M2 Spare parts



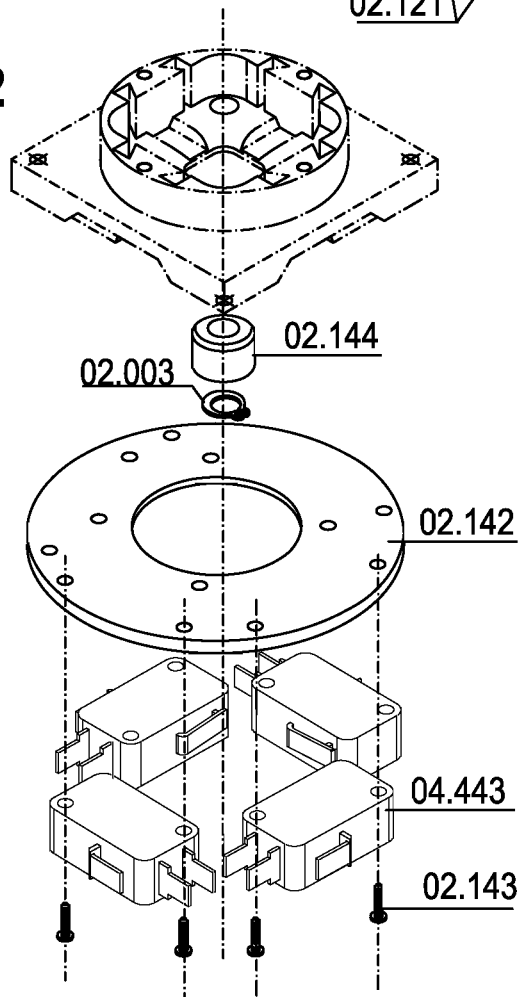
J.R. MERRITT
CONTROLS, INC.

Stratford, CT • 1-800-333-5762 • www.jrmerritt.com

Potentiometers MO



Microswitches M2



MO / M2 Spare parts list

Item #	Description 1	Description 2
01.120	Nut, Mtg Hex 2-56	For MO Microswitches
01.124	Screw, Micro mtg 2/56 X 7/16	Phil PH, intl loc washer sems
02.001	Handle, GN419-20-M5 for MO	
02.002	Boot, MO-Large	MO24Z
02.003	Ring, Boot retaining /A5	
02.004	Collar, Adj Spring A5 DIN 705	
02.005	Spring, Return	MO9-9
02.006	Shuttle, Dome Spring	MO14D
02.007	Shaft, Operating, hollow	MO11H80
02.008	Collar, Bearing Retaining	MO22N
02.009	Gate, Open, MO, 57 mm	MO34-57
02.014	Gasket, Mounting 45x45x1	MO10A
02.016	Stop, Handle 1-0-1	MO23-1
02.017	Stop, Handle 2-0-2	MO23-2
02.018	Stop, Handle 3-0-3	MO23-3
02.022	Roller, Detent	MO01N
02.023	Shuttle, Detent	MO02N
02.024	Spring, Detent	MO2FN
02.025	Base Cover, Detent	8x15x1.5
02.040	Gate, Cross, MO, 57mm	MO34K-57
02.043	Contact, Microswitch 5K ++	X200615-ZM Honeywell
02.046	Body, MO	MO41N
02.049	Shaft, Solid-MO	MO11V84
02.056	Gate, Cross, MO, 46mm dia.	MO34K-46
02.058	Microswitch, MO Pushbutton	13435AD2K
02.059	Screw, Mtg WN1442 KB25x10 MO	head to body
02.064	Handle for Mech Interlck	MO26Z
02.066	Screw, Point Set	M4x4 DIN 916 +
02.067	Push Button	MO54-1
02.069	Cap, Handle 23mm	MO24-2
02.075	Handle, base, MO 23mm	MO54-3
02.077	Screw, WN 1442 KB25x12 Mtg	plate
02.081	Bushing, Shaft MO Lager	
02.089	Handle w/Pushbutton, MO	(02.038-assembled)
02.090	Screw, Mtg. for MO Body	DIN 438, 3 x 12
02.099	Spacer, Shim MO 10/6, 4x0,2	
02.100	Yoke, Operating Double Axis	M045
02.101	Yoke, Operating Double Axis	MO46
02.102	Yoke, Single Axis MO52	
02.105	Cam, MO new style	MO50
02.106	Handle, Ball 20mm, MO	KU20M5
02.107	Support, MO Cam Detent	MO47
02.108	Detent, 0 degree to 3-0-3 MO	MO48
02.109	Gear, MO Pot master, Drive	MO56
02.110	Spacer, Brass, MO S.R. Shuttle	07/5x0,1
02.111	Screw, set for MO Return	spring collar Din 916 M3x3
02.112	Screw, Cam for MO	KB25x8 WN1411
02.113	Screw, Detent bearing Support	for MO KB25x7 WN1411

MO / M2 Spare parts list

Item #	Description 1	Description 2
02.114	Gear, Pot Slave, MO	MO32-15.05-3,2 z=15
02.115	Screw, Pot Gear, MO	M1,6x6 Din 84
02.116	Screw, Set, MO detent roller	M4x8 Din 916
02.117	Cover, Detent spring Adjust MO	
02.118	Screw, Spring Adjustment, MO	M2 x 8 DIN 963
02.121	Screw, Mounting, MO Pot Plate	M3X8 DIN 7985
02.123	Plate, Pot, MO	MO32PL310
02.129	Insulator, Microswitch, MO	A10.5260 Rev01
02.130	Head, MO, Z MI 2 Axis, Sm boot	
02.131	Contact Block, MO Gold	GM036K2
02.134	Contact Block, MO Standard	SM036K2
02.139	Head, MO	MO31N
02.142	Plate, M2 10 AMP Microswitch	MO42WW
02.143	Screw, M2 10 AMP Microswitch	WN1412/KB30x16
02.144	Roller, M2 10 AMP Microswitch	MO42-1
02.145	Screw, Mtg, contact block, MO	M2,5x14 DIN 963
02.146	Screw, Pot clamp MO	M4x6 DIN 7985
02.147	Screw, set for detent MO	M4x8 DIN916
03.222	Nut, Hex, M4	4mm DIN 934ZP
03.223	Nut, Hex, 3mm M3	DIN 934ZP M3
04.443	Microswitch, w/P20 Lever	D3V-11G1-1C25K
13.009	Clamp Screw for Pot Holder	
17.039	Screw, Mtg PC board, MG13	KB25x6 WN1411
02.002.1	Boot, MO-Small	MO24A 48mm dia.
02.010.1	Gate, Open, MO, 46mm dia	MO34-46