

# PRO-5

## COMPACT RUGGED CAST DESIGN SINGLE AXIS CONTROLLER FOR HARSH ENVIRONMENTS

### Construction:

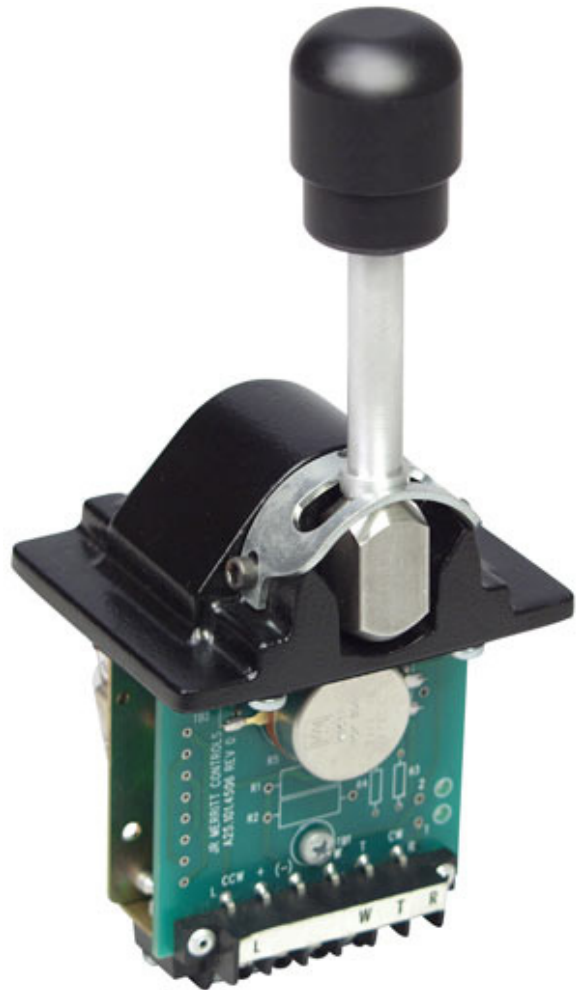
The cast housing construction of the PRO-5 is suitable for use in wet and dirty environments. The PRO-5 provides precise proportional control for Electro-hydraulic valves and AC/DC variable speed drives. Your specific control requirements can be accommodated by a variety of standard and custom engineered electronic amplifiers.

### Application:

This weatherproof design is ideal for use on Scissor Lifts, Work Platforms, Bucket Trucks, Cranes, Agricultural, Mining and Forestry equipment where control of Electro-hydraulic proportional valves or variable speed drives is desired.

### Features:

- Rugged cast construction.
- Gasketing for outdoor use.
- Long life, compression type return spring system.
- 3 Spring forces available, easily field replaceable.
- Mounting holes are interchangeable with other popular controllers (on request).
- Friction held handle.
- Large variety of optional handle configurations including; rocker switches, mechanical interlock and push-buttons.
- Potentiometric, switched and PWM outputs.
- (Proportional Feathering Control) PFC, PFC/CR and MPFC Electro-hydraulic valve drive boards.
- 20 Million cycle mechanical operating life.
- Rugged handle shaft and stop design.
- Tooled fixed cams.
- Bang / Bang design.



**J.R. MERRITT** 

**CONTROLS, INC.**

Pub.# 24.C4

Stratford, CT • 1-800-333-5762 • [www.jrmerritt.com](http://www.jrmerritt.com)

# PRO-5 ORDERING INFORMATION

- Basic Assembly:** 5.25" handle height off of panel and round ball handle supplied standard.
- Handle:** Reference Catalog Section 5 for a selection of handle options.
- Contacts:** (6) Micro switches max. Optional gold plated contacts available.
- Potentiometers:** 0.5 watt 5 million cycles provided standard. Specify resistance and type required, for example, standard 3 terminal or center tapped.  
Consult factory for custom requirements.
- Electronics:** See PFC, PFC/CR or MPFC (Proportional Feathering Control) for electronic ordering information.

## PRO-5 TECHNICAL DATA

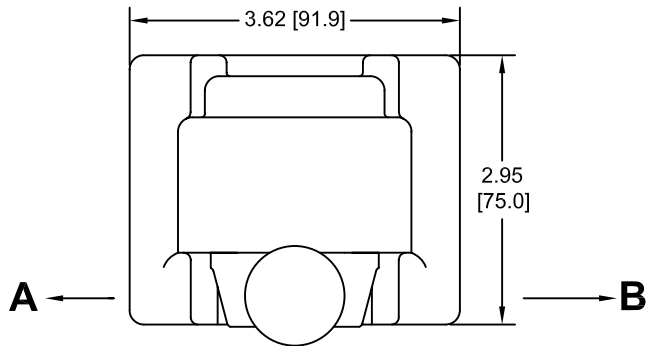
### Mechanical:

- **Operating Temperature:** -25°+70°C
- **Detented Positions:** 0° null
- **Gear Ratio:** 3.5:1
- **Mechanical Life:** 20 million cycles
- **Handle Travel:** ±36° for proportional  
±20° for Bang/Bang

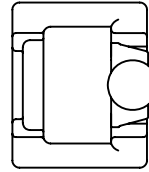
### Electrical:

- **Contacts:**
  - (6) Micro switches max without potentiometer.
  - (4) Micro switches max with potentiometer.
- **Rating:**
  - AC 10 A @ 125, 250 VAC continuous.
  - DC 10 A @ 30 VDC resistive and inductive.
- **Potentiometers:** 3 wire or 10k 4 wire 0.5 watt 5 million revolutions.  
(Consult factory for special potentiometer requirements.)

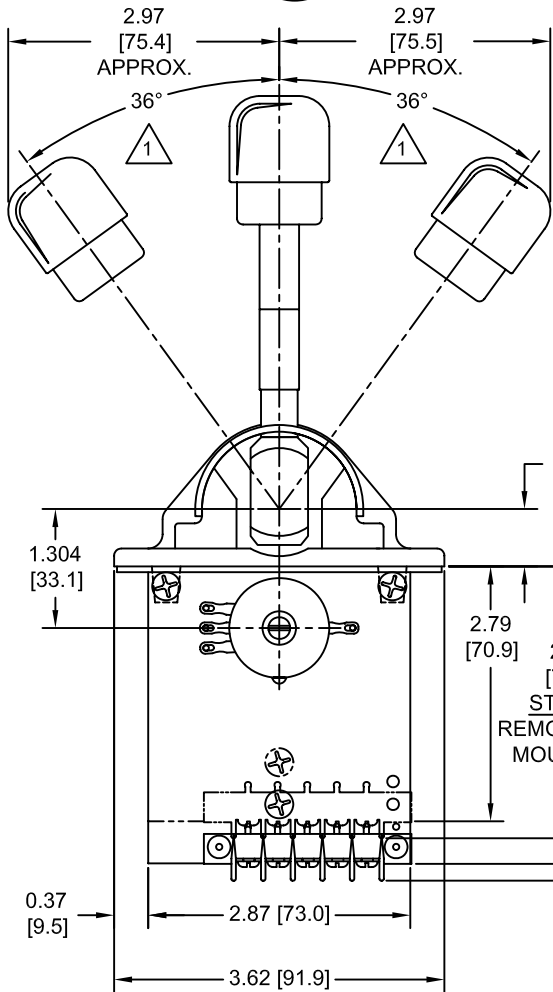
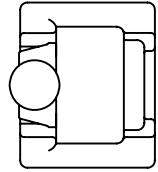
# PRO-5 DIMENSIONS



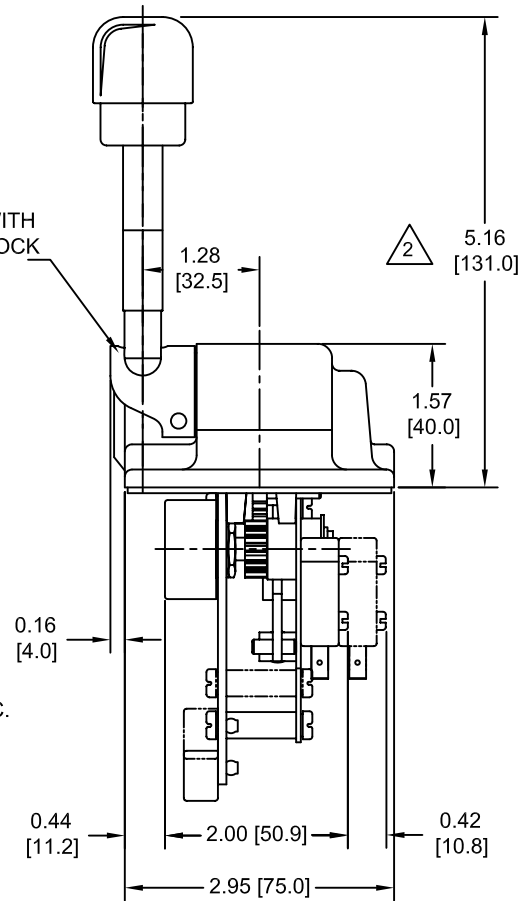
**PRO5-N**



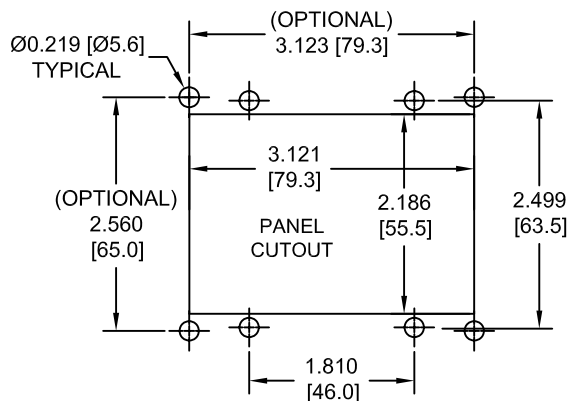
**PRO5-U**



GATE IS REQUIRED WITH MECHANICAL INTERLOCK



## PANEL MOUNTING DETAIL



- ① BANG BANG CONSTRUCTION HANDLE TRAVEL IS  $\pm 20^\circ$   
 $\pm 2.18"$  TO END OF HANDLE AT FULL TRAVEL
- ② CUSTOM HANDLE LENGTH AVAILABLE  
ON REQUEST

**J.R. MERRITT**  
**CONTROLS, INC.**

Stratford, CT • 1-800-333-5762 • [www.jrmerritt.com](http://www.jrmerritt.com)