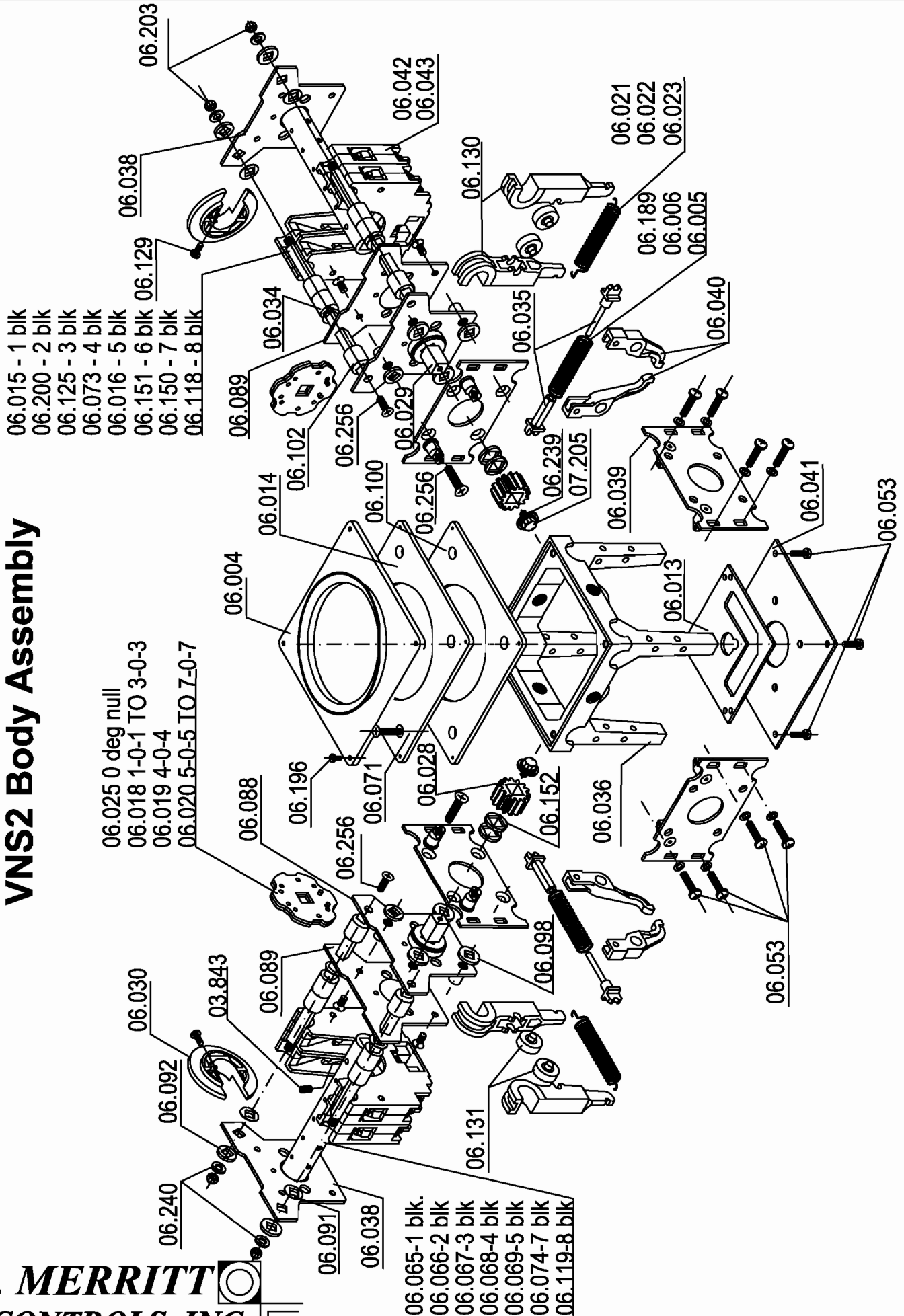


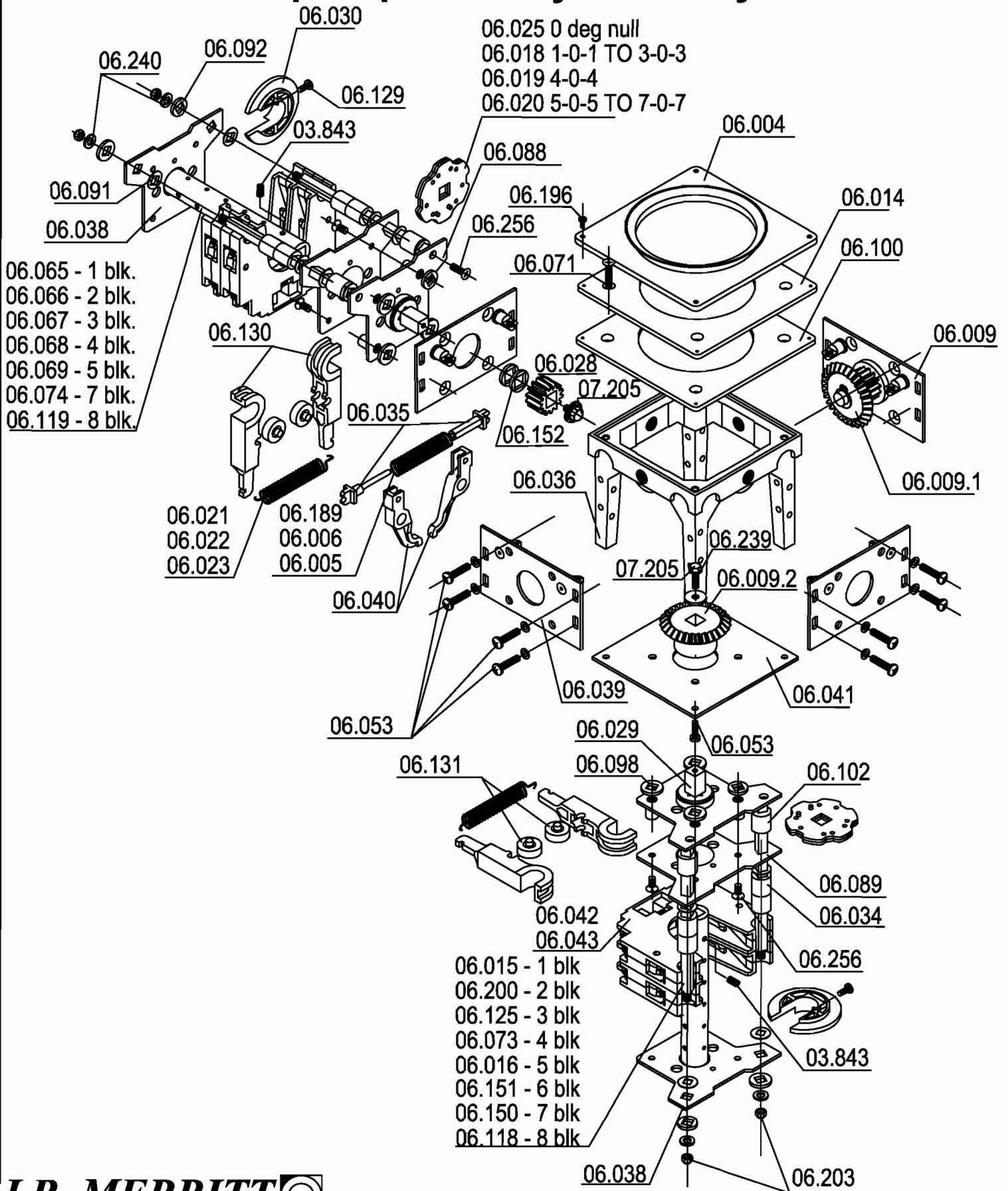
Spare parts overall VNS2 Body Assembly



J.R. MERRITT
CONTROLS, INC.

Stratford, CT • 1-800-333-5762 • www.jrmerritt.com

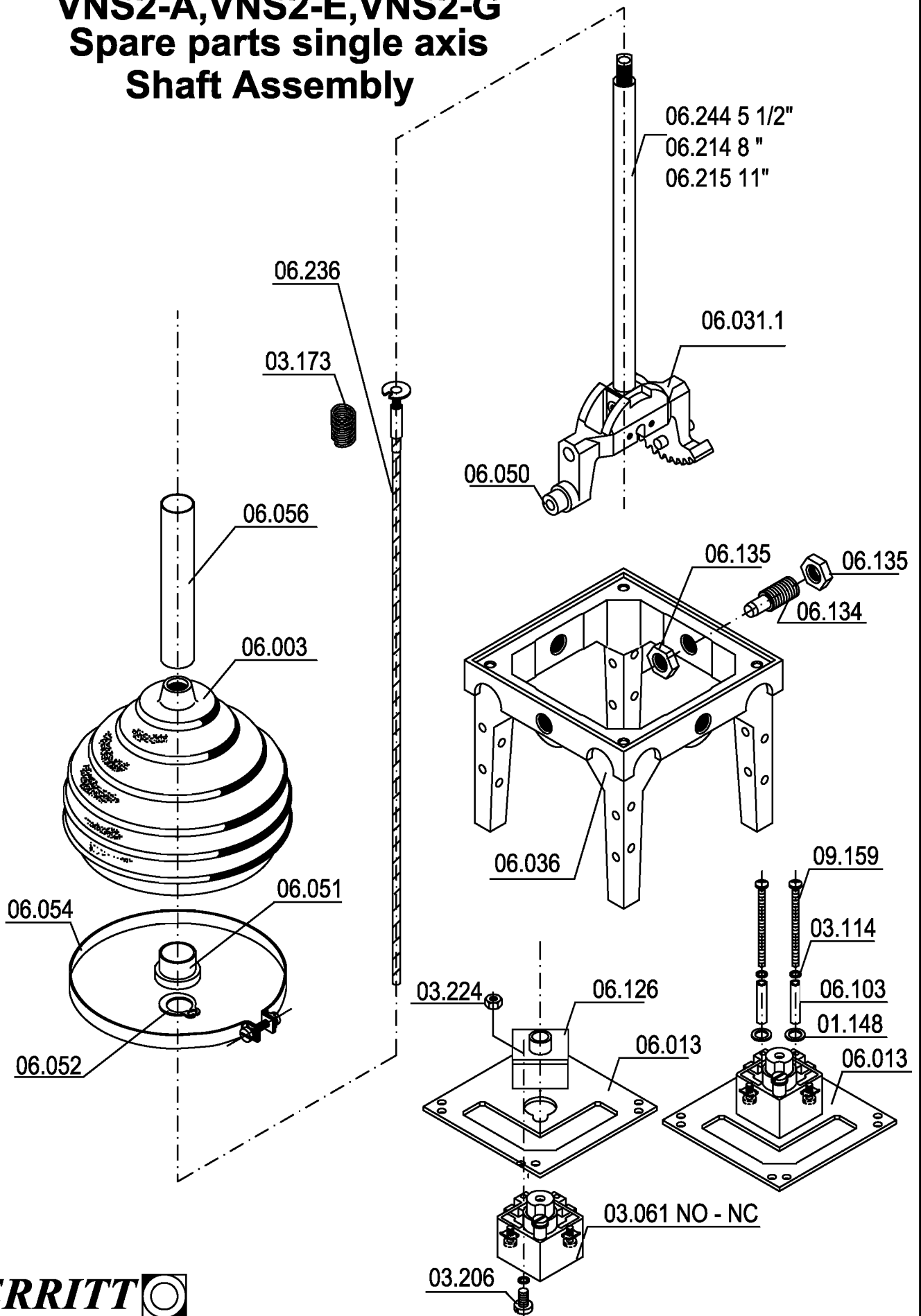
VNS2-EA, VNS2-A Spare parts Body Assembly



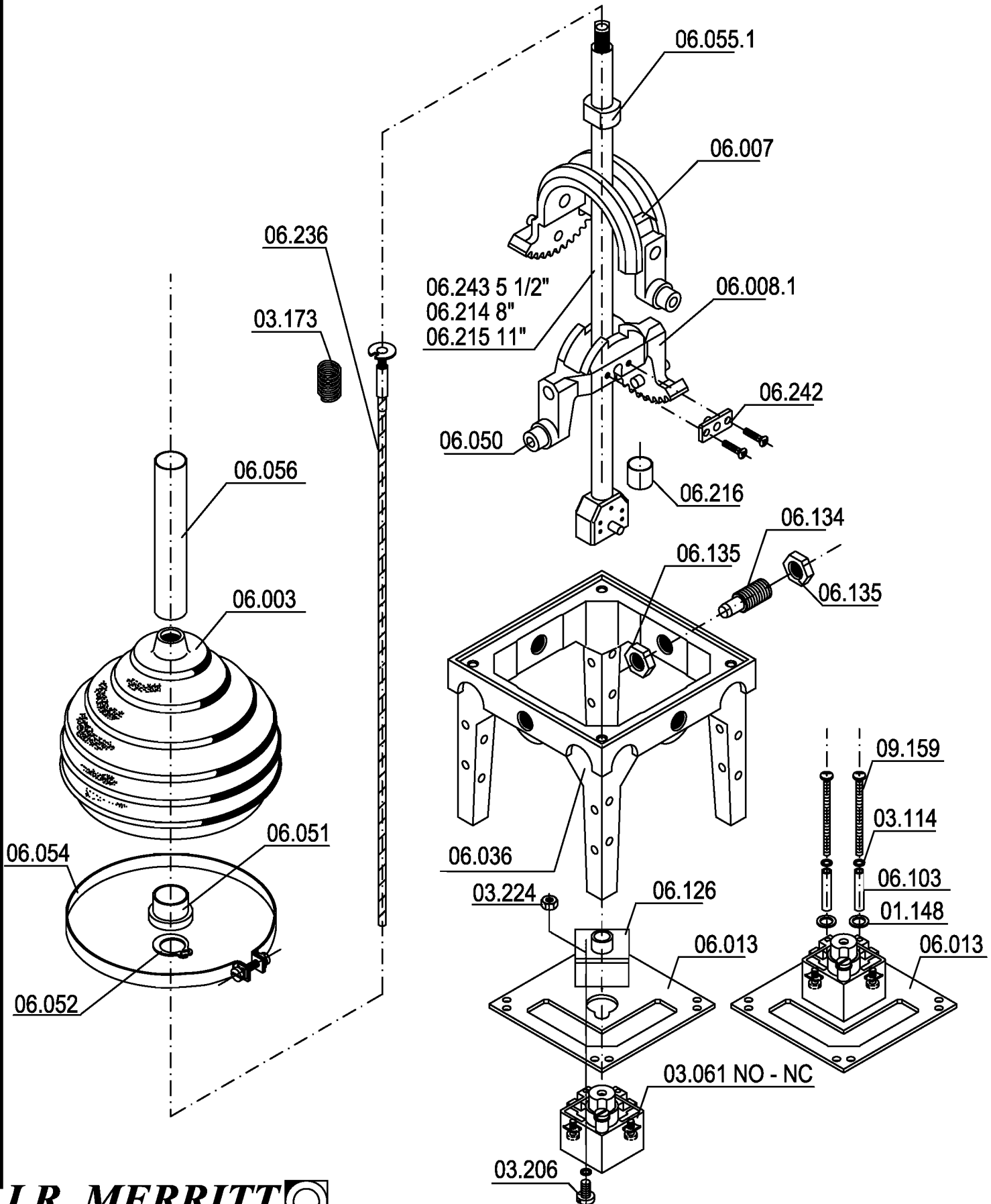
J.R. MERRITT
CONTROLS, INC.

Stratford, CT • 1-800-333-5762 • www.jrmerritt.com

VNS2-A, VNS2-E, VNS2-G Spare parts single axis Shaft Assembly



VNS2-EA, VNS2-V, Spare parts double axis Shaft Assembly



J.R. MERRITT 
CONTROLS, INC.

Stratford, CT • 1-800-333-5762 • www.jrmerritt.com

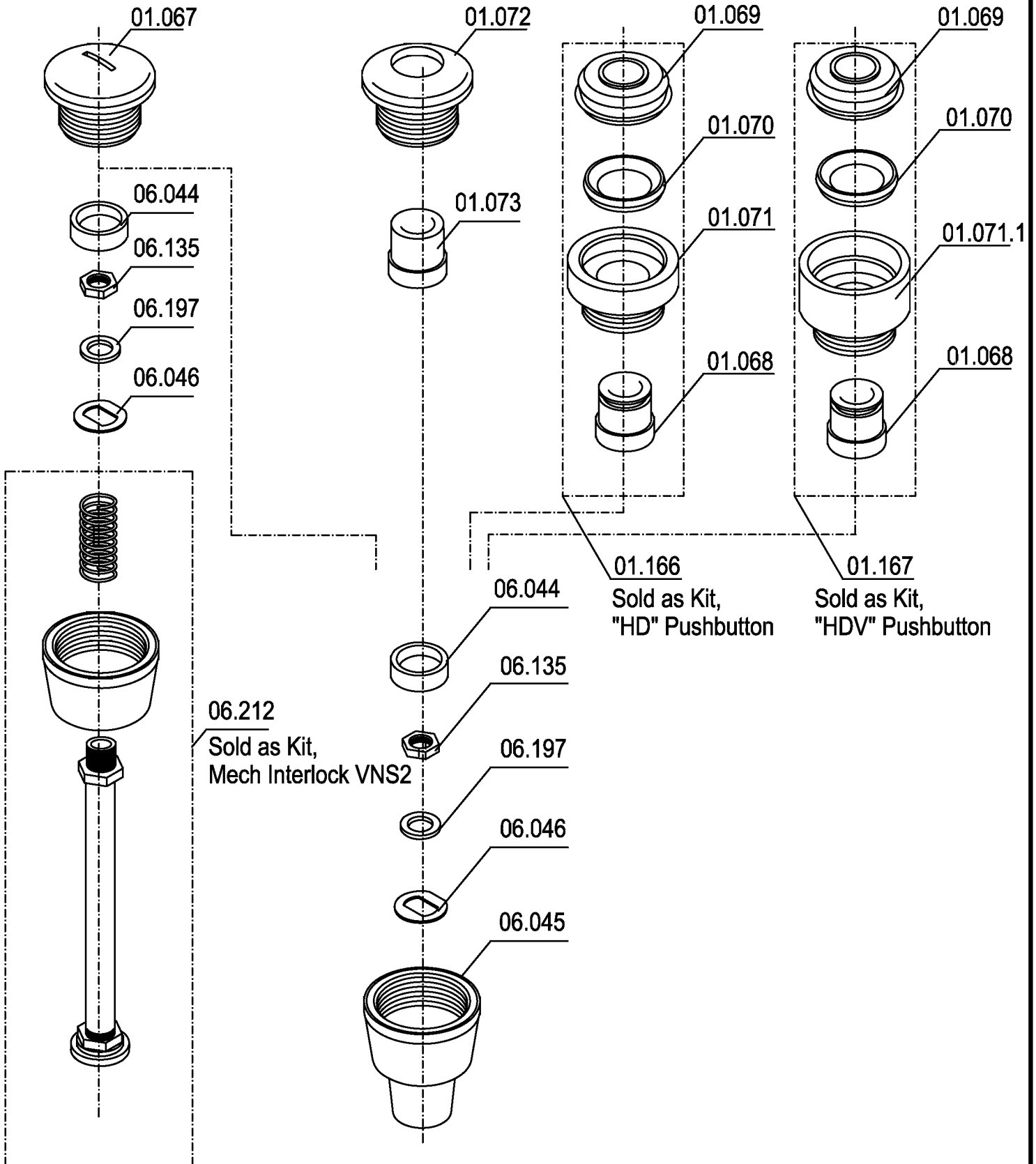
VNS2 HANDLE SPARE PARTS

No Pushbutton

"H" Extended
Pushbutton

"HD" Flush
Sealed Pushbutton

"HDV" Flush
Sealed Pushbutton



J.R. MERRITT 
CONTROLS, INC.

Stratford, CT • 1-800-333-5762 • www.jrmerritt.com

VNS2 Spare parts list

| Item # | Description 1 | Description 2 |
|----------|--------------------------------|---------------------------|
| 01.068 | Actuator, HD | NSOES15M |
| 01.069 | Seal, Rubber HD Flush/Sealed | NSOES42M |
| 01.070 | Ring, HD Brass sealing | NSOES42S |
| 01.071 | Cap, HD (Flush) | NSOES42-10 |
| 01.071.1 | Cap, HDV (recessed) | NSOES42-20 |
| 01.072 | Cap, H Pushbutton | NSOES42H A15.101.6845 R00 |
| 01.073 | Actuator, H | NSOES15 |
| 01.148 | Washer, Gray Fiber, W10370 | .375 x .148 x .060 |
| 01.166 | Kit, HDU Pushbutton-assembled | |
| 01.167 | Kit, HDV Pushbutton-assembled | NSOES42-20 |
| 03.061 | Contact Aux, PB-E/V 1NO-1NC | NSOES81-U |
| 03.114 | Washer, Rib M3.5 | S3.5 3.5mm |
| 03.173 | Spring, Pushbutton/NSOES15F | |
| 03.206 | Screw, NSO Base Plate, TB. MTG | DIN 7985 M3.5x10 |
| 03.224 | Nut, Hex, M3.5 | 3.5mm DIN 934ZP |
| 03.843 | Screw, Set, M5x5, S/S | M5X5 Din 916 |
| 06.003 | Boot, Rubber, NS2 | V184K ++ |
| 06.004 | Nameplate, Black Alum, NS2 | V148 |
| 06.005 | Spring, Return, Medium | NS243L |
| 06.006 | Spring, Return, Heavy | NS243S |
| 06.007 | Yoke, Crossover-CrNi | V185FGR |
| 06.008.1 | Yoke, Oper Dual VNS2 | NS286, New Style |
| 06.009 | Plate, Side w/ pin-heavy duty | NS244-27.10 |
| 06.009.1 | Gear, Bevel Body | NS252A |
| 06.009.2 | Gear, Bevel AG | NS252GAUsed w/ 06.009 |
| 06.013 | Plate, Mounting Aux | NS254K |
| 06.014 | Plate, Mounting Aluminum-Front | NS275 |
| 06.015 | Bolt, Assembly 1 block | NS221-160mm |
| 06.016 | Bolt, Assembly 5 blocks | NS221-5148MM |
| 06.018 | Detent Wheel, Stl-1-0-1to4-0-4 | NS245-30 |
| 06.019 | Detent Wheel, Steel 5-0-5 | NS245-4 |
| 06.020 | Detent Wheel, Stl-6-0-67-0-7 | NS245-7 |
| 06.021 | Spring, Detent Light | NS241L |
| 06.022 | Spring, Detent Medium | NS241 |
| 06.023 | Spring, Detent Heavy | NS241S |
| 06.025 | Detent Wheel, Steel-0 deg null | NS245-D |
| 06.028 | Gear, Step System-VE | NS225 |
| 06.029 | Shaft, Drive ++ | NS226 |
| 06.029.1 | Plating, Zinc, clear, Shaft | drive NS226 |
| 06.030 | Cam, Blank, NS2 | NS261A |
| 06.031.1 | Yoke, NS2 Single Axis | V18FGR, New Style |
| 06.034 | Spacer, Mounting | NS211C |
| 06.035 | Guide, Spring Return | NS231K |
| 06.036 | Body, NS2 Aluminum | NS236K |
| 06.038 | Plate, Rear | 16244Hw/bearing hole |
| 06.039 | Plate, Side Mounting | NS244VK |
| 06.040 | Arm, Spring Return-NS2 | NS251LR |
| 06.041 | Plate, Base Mounting | NS254A A10.101.2042 R01 |

VNS2 Spare parts list

| Item # | Description 1 | Description 2 |
|----------|--------------------------------|---------------------|
| 06.042 | Contact Block, Double-AC | NS271K |
| 06.043 | Contact Block, Double-DC | NSB271K |
| 06.044 | Spacer, Handle-NS2 ++ | NS2 WD |
| 06.045 | Cap, Lower (NS2) | NS2-WG |
| 06.046 | Washer, Handle (NS2) | NS2-WS |
| 06.050 | Roller, Spring Return | NS223 |
| 06.051 | Bushing, Boot-NS2 | NS230 |
| 06.052 | Clip, E Bevel Gear-NS2 | |
| 06.053 | Screw, Mounting NS2 | Din 7500 C M5x16mm |
| 06.054 | Clamp, Boot-NS2 | ZY120X9 |
| 06.055.1 | Block, Guide-NS2, Bronze | NS22BRZ (New Style) |
| 06.056 | Insulator, Shaft-NS2 | ISO-ROHR |
| 06.065 | Shaft, Cam, NS2, Brass 1 block | NS246A-1 |
| 06.066 | Shaft, Cam, NS2, Brass 2 block | NS246A-2 60mm |
| 06.067 | Shaft, Cam, NS2, Brass 3 block | NS246A-3 82mm |
| 06.068 | Shaft, Cam, NS2, Brass 4 block | NS246A-4 104mm |
| 06.069 | Shaft, Cam, NS2, Brass 5 blks | NS246A-5 126mm |
| 06.071 | Screw, Mounting Aluminum | M5x20 mm DIN965 |
| 06.073 | Bolt, Assembly 4 blocks | NS221-4126 mm |
| 06.074 | Shaft, Cam, NS2, Brass 7 block | NS246A-7 170mm |
| 06.088 | Plate, Spacer w/pin standoff | NS244V1K |
| 06.089 | Plate, Middle | NS242 |
| 06.091 | Spacer, Paper-8mm sq hole | |
| 06.092 | Spacer, Rear w/8mm sq hole | NS221-S11 |
| 06.098 | Spacer, Brass | NS238-2.5 |
| 06.100 | Gasket, Rubber | A10.101.1854 |
| 06.102 | Spacer, Brass-detent Arm | NS212B |
| 06.103 | Spacer, A drive contact blk | BR5007-40-22-00 |
| 06.118 | Bolt, Assembly 8 blocks | NS221-8 |
| 06.119 | Shaft, Cam, NS2, Brass 8 block | NS246A-8 |
| 06.125 | Bolt, Assembly 3 blocks | NS221-3 |
| 06.126 | Guide, Flex Shaft | NS254K1 |
| 06.129 | Screw, Cam-NS2 | M4x8mm DIN 7985 |
| 06.130 | Arm, Detent Plastic, no roller | NS246K |
| 06.131 | Roller, Detent Arm | NS246R-20 |
| 06.134 | Bearing, Threaded, New Style | NS219A12x1 |
| 06.135 | Nut, Hex, M12 | NS219-1M12x1 |
| 06.150 | Bolt, Assembly 7 blocks | NS221-7 |
| 06.151 | Bolt, Assembly 6 blocks | NS221-6 |
| 06.152 | Spacer, Gear 1.5mm | 12mm Sq |
| 06.189 | Spring, Return, Light | K237FW |
| 06.196 | Screw, Nameplate-Alum mtg | M4x5 mm DIN85 |
| 06.197 | Washer, Rib (NS2) | S1212mm |
| 06.200 | Bolt, Assembly 2 blocks | NS221-2 |
| 06.203 | Nut, Nylock, 6mm | M6x1 985, N12 |
| 06.212 | Kit, MI, Push-button NS2 | |
| 06.214 | Shaft, NS2 220mm | NS286L-220 |
| 06.215 | Shaft, NS2 290mm | NS286L-290 |

VNS2 Spare parts list

| Item # | Description 1 | Description 2 |
|--------|--------------------------------|--------------------------------|
| 06.216 | Ring, NS2 | NS222H |
| 06.236 | Shaft, Flex NS2 | NS2ES46-A-380 |
| 06.239 | Washer, Spacer NS2 Body/drive | Din 7349 M6 6.4 x 17 x 3 |
| 06.240 | Washer, Spacer NS2 drive 6.6mm | Din 126 M6 6.6 x 12 x 1.6 |
| 06.242 | Retainer, Shaft steel w/screw | NS2 NS286LB |
| 06.243 | Shaft, Oper, Dual NS2 5 1/2" | w/ coupling |
| 06.244 | Shaft, Oper, Single NS2 5 1/2" | A50.101.6153 R03 |
| 06.256 | Screw, VNS2 M5x12 Din 963 | 325.726 Front plate to side Pl |
| 06.297 | Shaft, Oper, Single VNS2 6" | A50.101.6153 R03 |
| 06.327 | Shaft, Oper, Custom VNS2V,EA | assy A80.101.7298 R00 |
| 07.205 | Bolt, Hex flg lock | Dinw151-FL M5 x 10 |
| 09.159 | Screw, VNS2EA PB to plate | M3.5x30 DIN7985 |