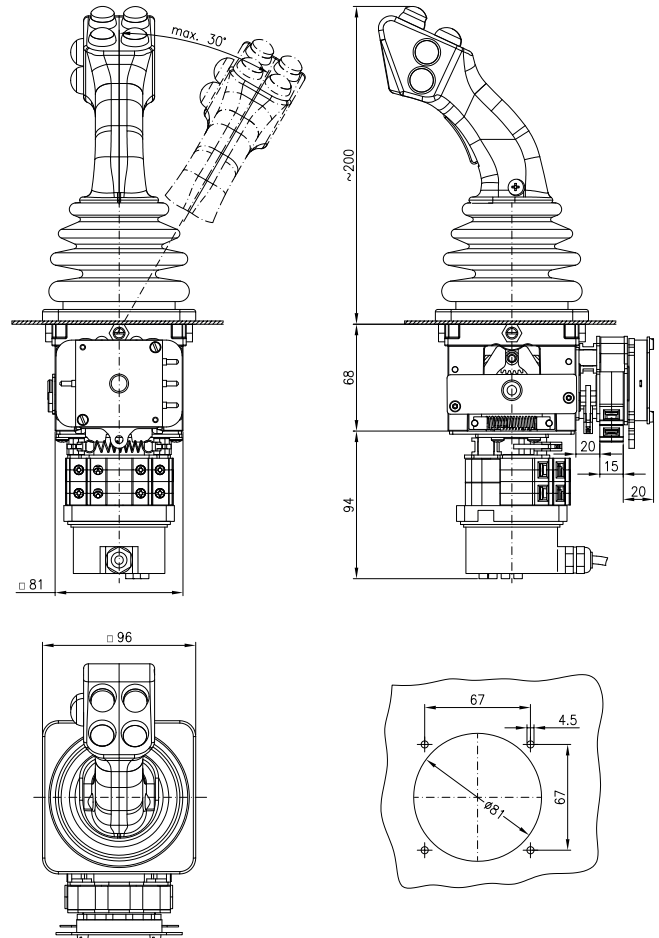
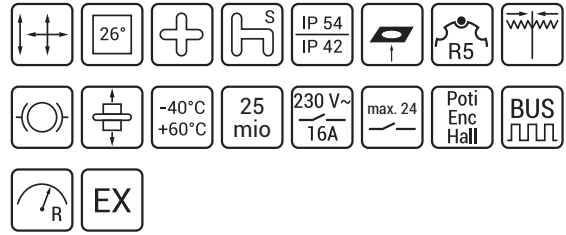


NNS0

Our special type.



The hollow special-alloy lever (VNS0 8 mm, NNS0 12 mm diameter) allows to assemble a variety of grips and the wires can be routed through the joystick. Grip rotation may come in different grip versions. Due to the special coupling design it is easy to flange different potenti-

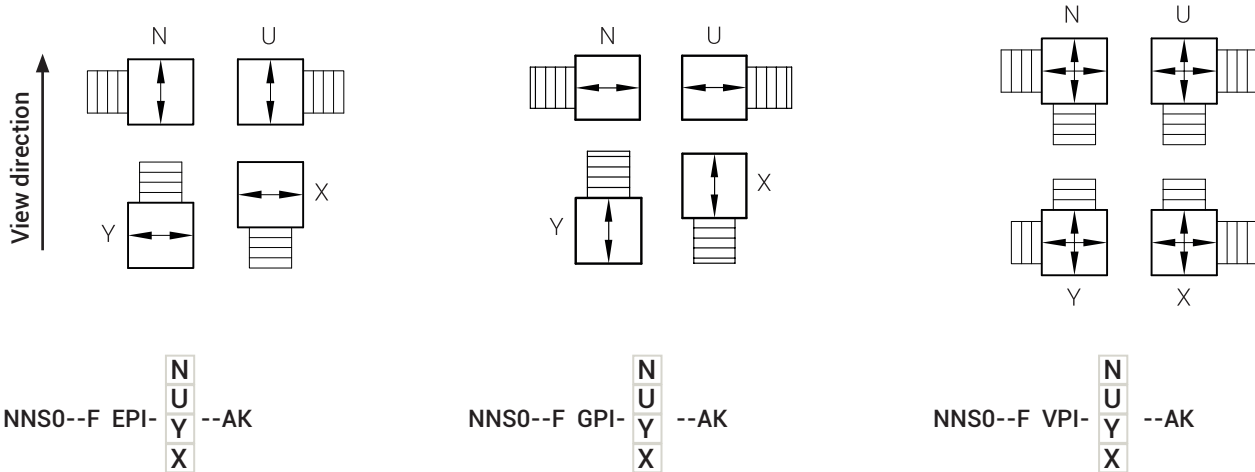
ometers as well as optoelectronic encoders. Moreover, various bus interfaces are available in customized system sizes. As an optical finish, you will get the escutcheon plate of your choice either in transparent plastic with specified engraving or as an engraved aluminium version.

Please note the view direction for following handles: G1, G13, UGA

Drive arrangement EPI

Drive arrangement GPI

Drive arrangement VPI



Standard scope of supply for NNS0-EPI, -GPI, -VPI:

- Deflection 26°
- Potentiometer coupling for Bxx potentiometer in drive block
- Model with zero notches
- Limiting gate
- Lever 12 mm

Additional charge for drive arrangement EPI, GPI, VPI:

- Spring return per axis R
- Model without zero notches per axis (only with spring return)
- Mounted housing for bus interface
- Limiting gate 18°
- More information see page J-NS0-P
- Type code see page J-NS0-P